

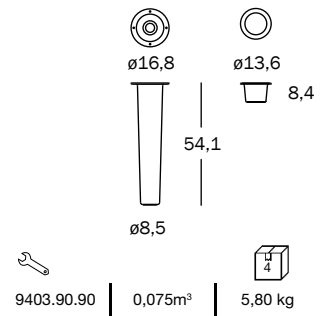
Little Flare

Design Marcel Wanders, 2005

Children's table.

Leg.

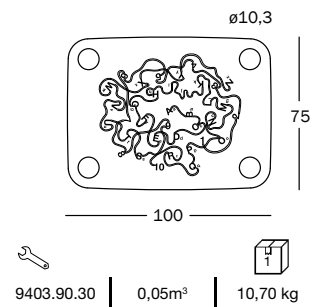
In polycarbonate transparent clear. Available with or without pen holders in ABS.



Art. nr.	Legs in polycarbonate
MT60	transparent clear with pen holders in ABS
MT64	transparent clear without pen holders in ABS

Top.

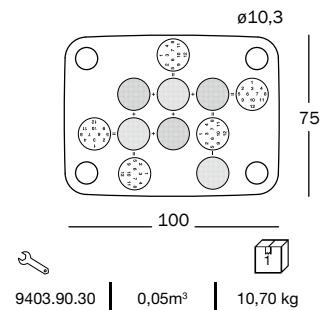
In MDF with polymeric cover, with round holes for housing the pen holders.



Art. nr.	Top in MDF	Pattern by El Ultimo Grito
MT68	white 8500	salad

Top.

In MDF with polymeric cover, with round holes for housing the pen holders.



Art. nr.	Top in MDF	Pattern by El Ultimo Grito
MT72	white 8500	circle

Pen holders in ABS	Top in MDF	Top thickness
 orange 1001 C	 white 8500	MDF: 16 mm

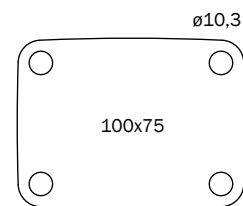
Test
 Drop test resistance, EN 1730
 Resistance to fatigue vertical test, EN 1730
 Vertical stability, EN 1730
 Worktop resistance impact test, EN 1730
 Resistance to fatigue horizontal test, EN 1730
 Static horizontal load test, EN 1730
 Vertical static load test, EN 1730

Little Flare

Design Marcel Wanders, 2005

Top.

In MDF with polymeric cover, with round holes for housing the pen holders.



9403.90.30

0,05m³



10,70 kg

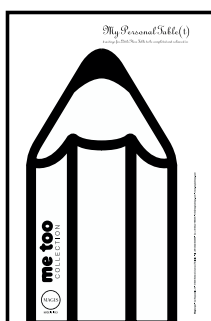
Art. nr.	Top in MDF
----------	------------

MT66	white 8500
------	------------

My Personal Table(t).

Sketch book with patterns to be completed and coloured.

Set of 20 pages (4 patterns by El Ultimo Grito, 6 patterns by Marcel Wanders, and 10 white sheets).



4903.00.00

0,005m³



2,10 kg

Art. nr.

MT70

Top in MDF



white 8500

Top thickness

MDF: 16 mm

Test

Drop test resistance, EN 1730
Resistance to fatigue vertical test, EN 1730
Vertical stability, EN 1730
Worktop resistance impact test, EN 1730
Resistance to fatigue horizontal test, EN 1730
Static horizontal load test, EN 1730
Vertical static load test, EN 1730